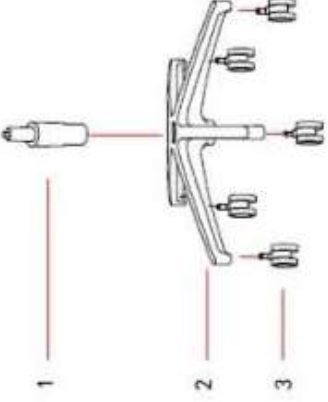
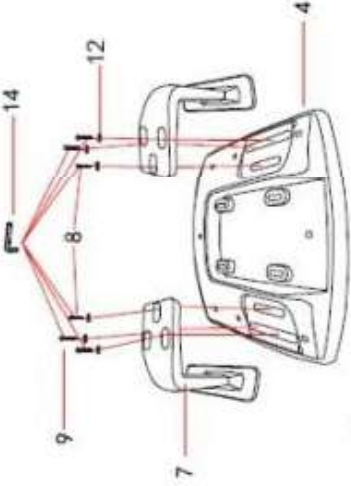
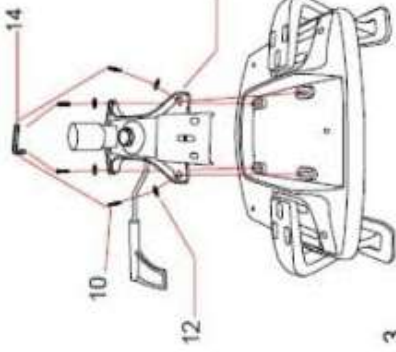
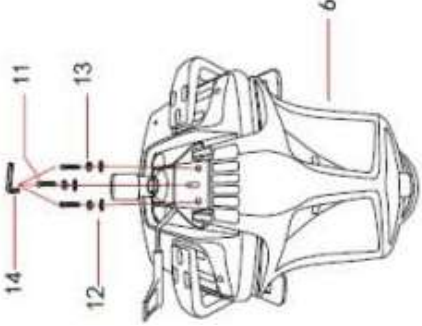
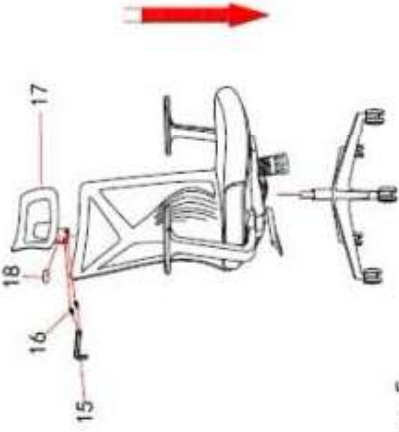



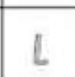
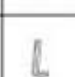


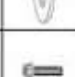
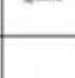
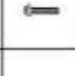




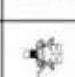


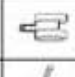
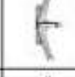


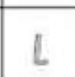
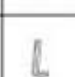


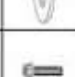
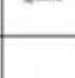
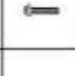




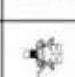


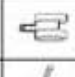
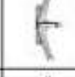


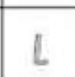
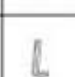


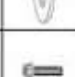
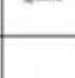
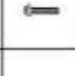




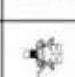


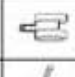
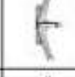


33-2127-MM Nero Ergo

linergo

 <p>Step 1</p>	 <p>Step 2</p>	 <p>Step 3</p>																																																																												
 <p>Step 4</p>	 <p>Step 5</p>	 <p>Step 6</p>																																																																												
<table border="1"> <thead> <tr> <th data-bbox="1198 180 1273 256">NO.</th> <th data-bbox="1198 256 1273 331">1</th> <th data-bbox="1198 331 1273 407">2</th> <th data-bbox="1198 407 1273 483">3</th> <th data-bbox="1198 483 1273 558">4</th> <th data-bbox="1198 558 1273 634">5</th> <th data-bbox="1198 634 1273 709">6</th> <th data-bbox="1198 709 1273 785">7</th> <th data-bbox="1198 785 1273 861">8</th> <th data-bbox="1198 861 1273 936">9</th> <th data-bbox="1198 936 1273 1012">10</th> <th data-bbox="1198 1012 1273 1087">11</th> <th data-bbox="1198 1087 1273 1163">12</th> <th data-bbox="1198 1163 1273 1239">13</th> <th data-bbox="1198 1239 1273 1314">14</th> <th data-bbox="1198 1314 1273 1390">15</th> <th data-bbox="1198 1390 1273 1465">16</th> <th data-bbox="1198 1465 1273 1541">17</th> <th data-bbox="1198 1541 1273 1617">18</th> </tr> <tr> <th data-bbox="1273 180 1347 256">SKETCH</th> <td></td> <td></td> <td></td> <td></td> <td></td> <td></td> <td></td> <td></td> <td></td> <td></td> <td></td> <td></td> <td></td> <td></td> <td></td> <td></td> <td></td> <td></td> </tr> <tr> <th data-bbox="1347 180 1422 256">SIZE</th> <td></td> <td></td> <td></td> <td></td> <td></td> <td></td> <td></td> <td>M6*45mm</td> <td>M5*50mm</td> <td>M6*40mm</td> <td>M5*20mm</td> <td>M5*17mm</td> <td>M5*1.3mm</td> <td>M5</td> <td>M4</td> <td>M6*20mm</td> <td></td> <td></td> </tr> <tr> <th data-bbox="1422 180 1523 256">QTY</th> <td>1pcs</td> <td>1pcs</td> <td>5pcs</td> <td>1pcs</td> <td>1pcs</td> <td>1pcs</td> <td>2pcs</td> <td>2pcs</td> <td>4pcs</td> <td>4pcs</td> <td>3pcs</td> <td>13pcs</td> <td>3pcs</td> <td>1pcs</td> <td>1pcs</td> <td>2pcs</td> <td>1pcs</td> <td>1pcs</td> </tr> </thead> </table>			NO.	1	2	3	4	5	6	7	8	9	10	11	12	13	14	15	16	17	18	SKETCH																			SIZE								M6*45mm	M5*50mm	M6*40mm	M5*20mm	M5*17mm	M5*1.3mm	M5	M4	M6*20mm			QTY	1pcs	1pcs	5pcs	1pcs	1pcs	1pcs	2pcs	2pcs	4pcs	4pcs	3pcs	13pcs	3pcs	1pcs	1pcs	2pcs	1pcs	1pcs
NO.	1	2	3	4	5	6	7	8	9	10	11	12	13	14	15	16	17	18																																																												
SKETCH																																																																														
SIZE								M6*45mm	M5*50mm	M6*40mm	M5*20mm	M5*17mm	M5*1.3mm	M5	M4	M6*20mm																																																														
QTY	1pcs	1pcs	5pcs	1pcs	1pcs	1pcs	2pcs	2pcs	4pcs	4pcs	3pcs	13pcs	3pcs	1pcs	1pcs	2pcs	1pcs	1pcs																																																												