

SMART

Montāžas instrukcija
Assembly manual



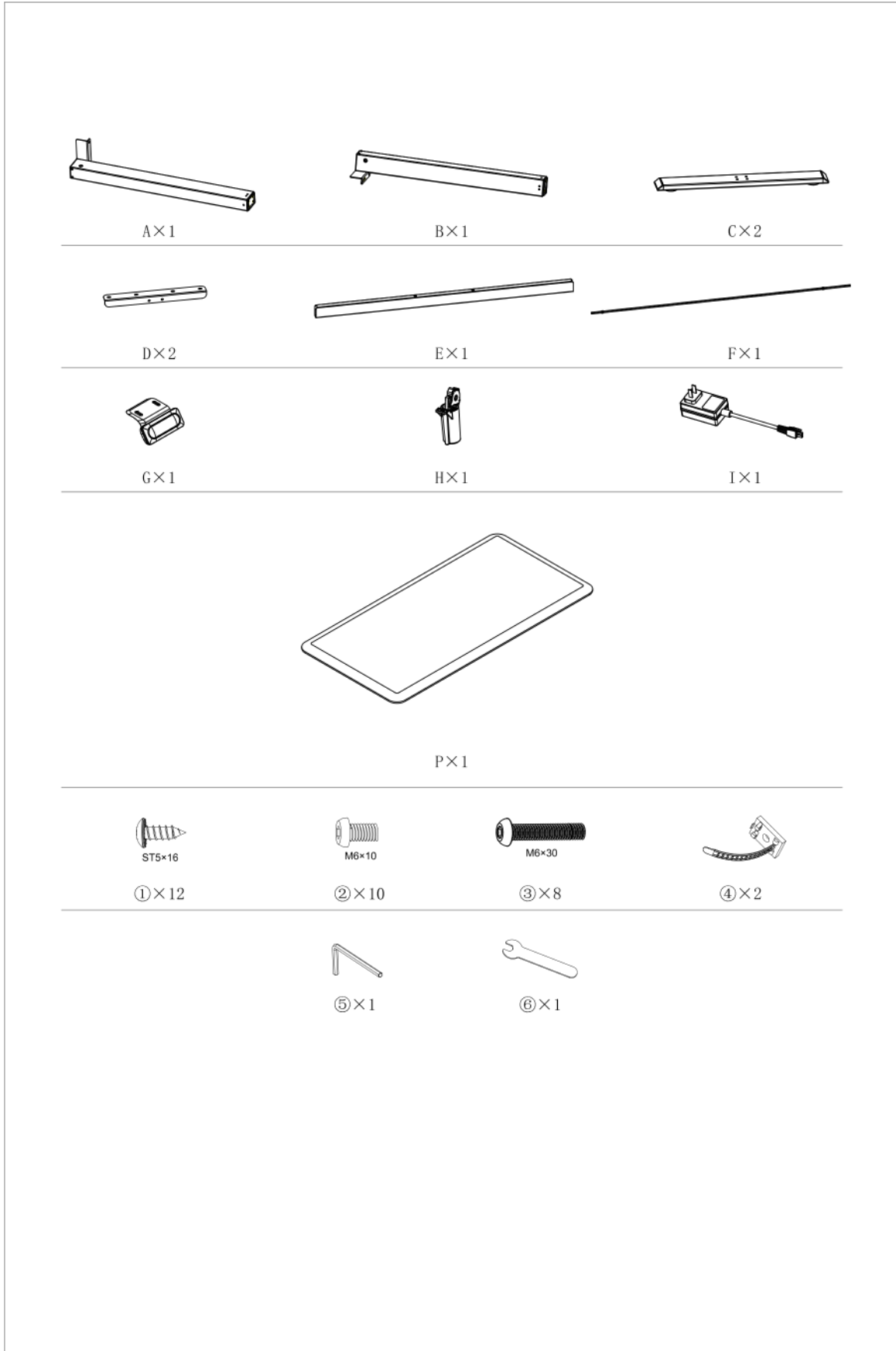
@ linergo@linergo.lv

📞 +371 29 114 991

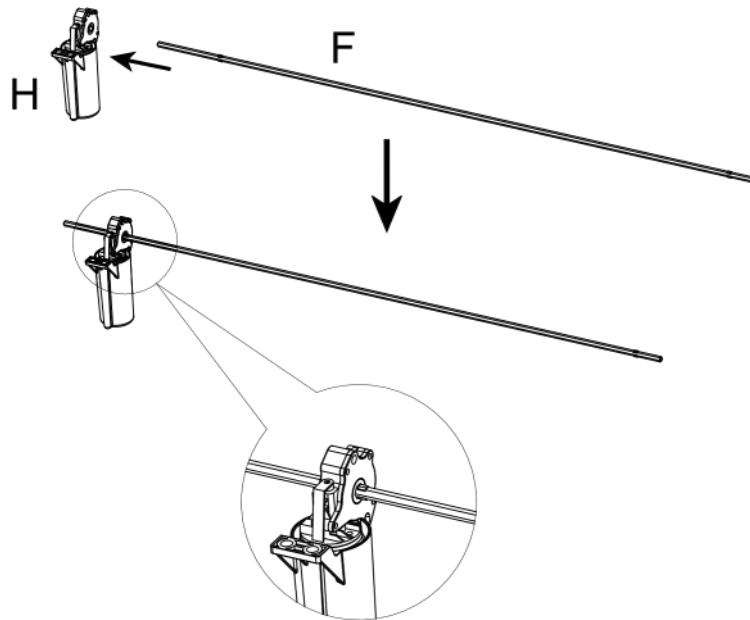
www.linergo.lv

1(8)

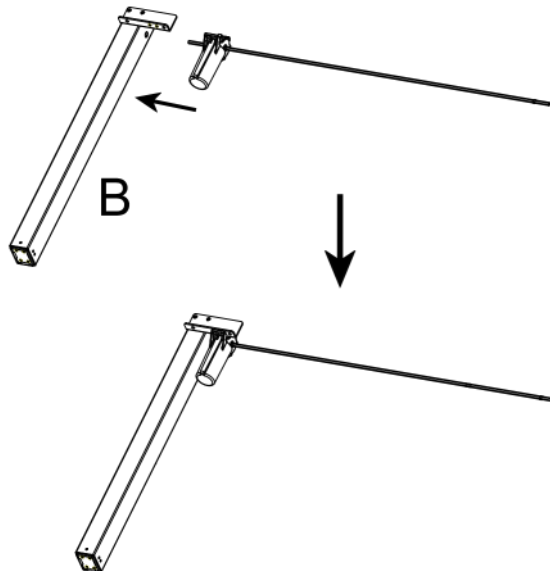
linergo
comfort & ergonomics



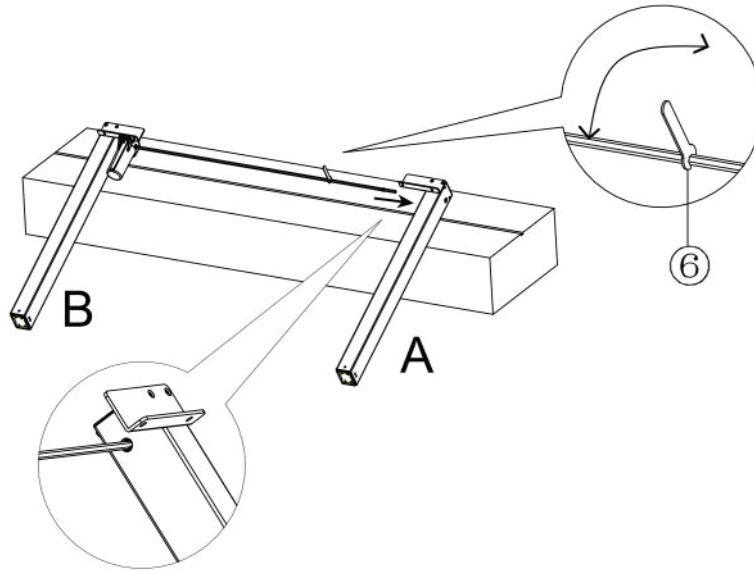
1



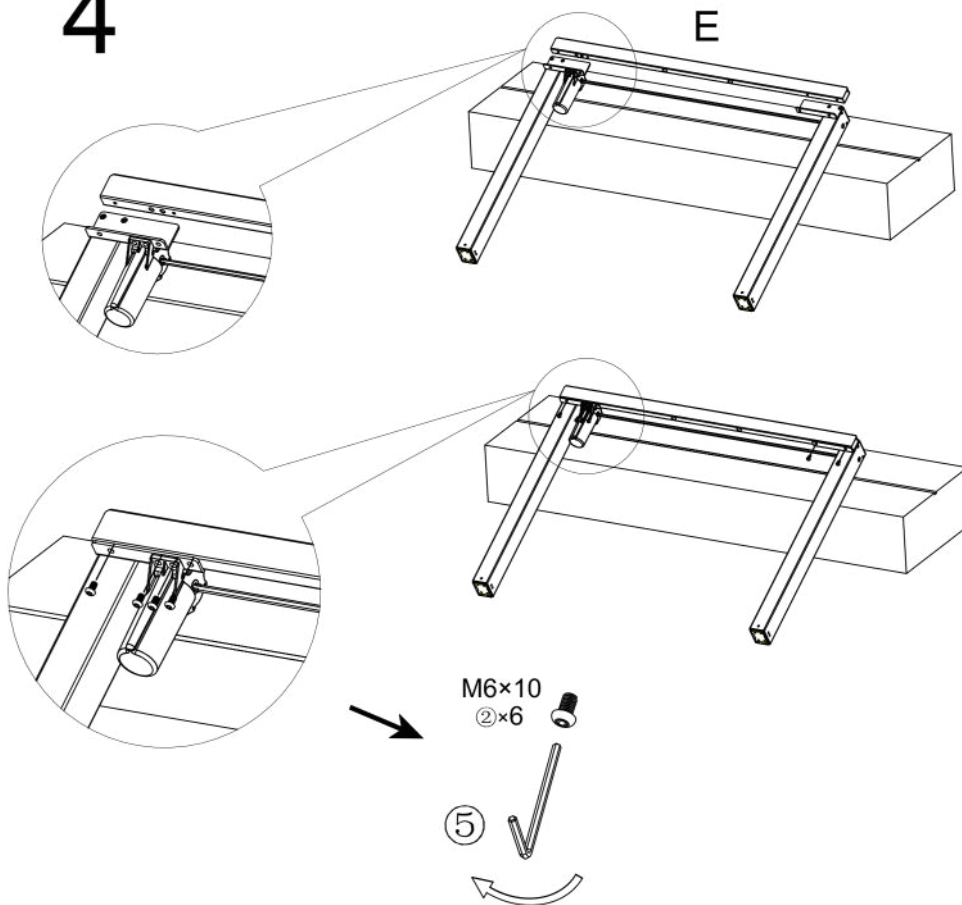
2



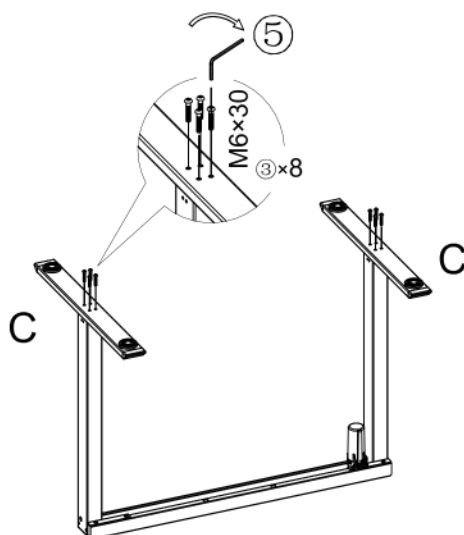
3



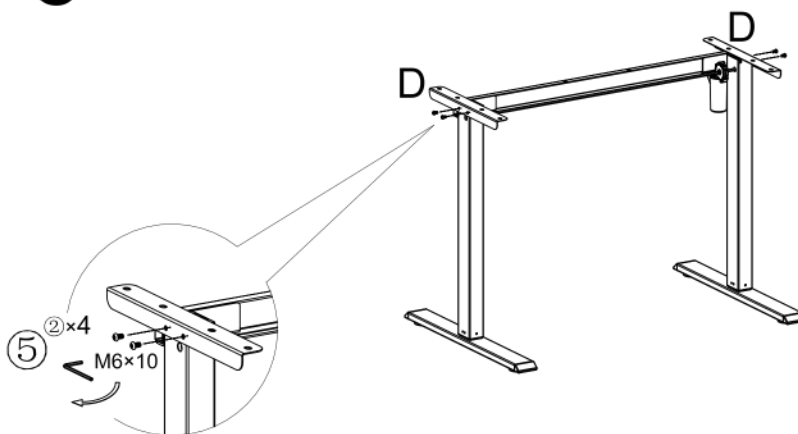
4



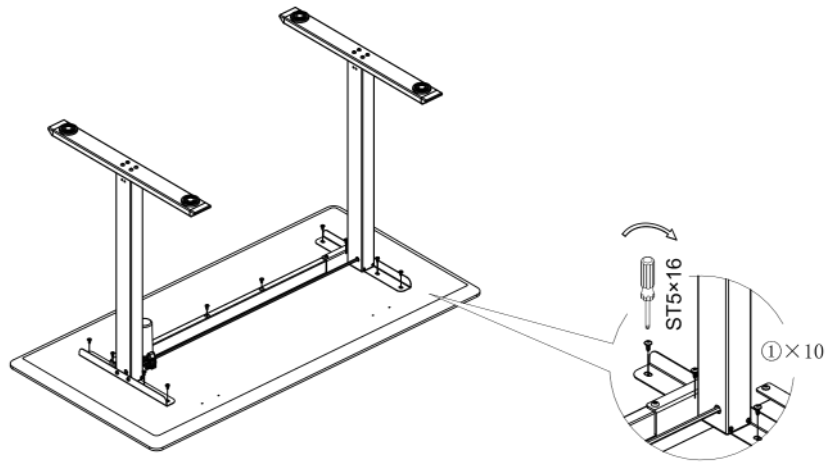
5



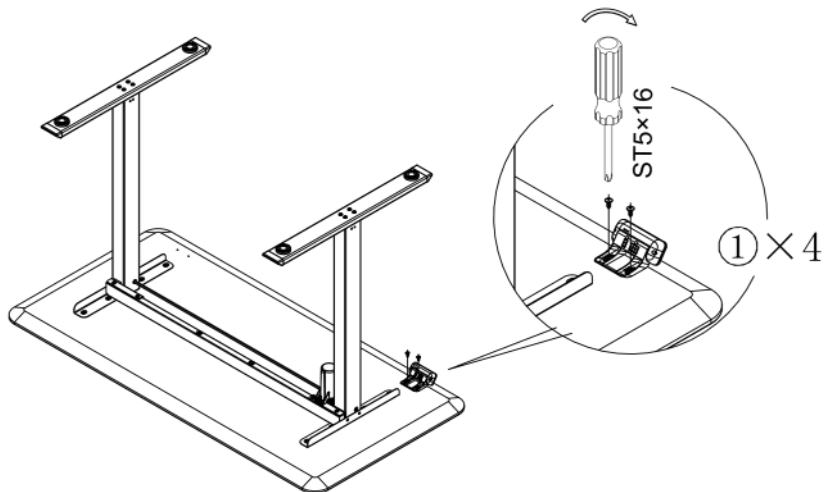
6



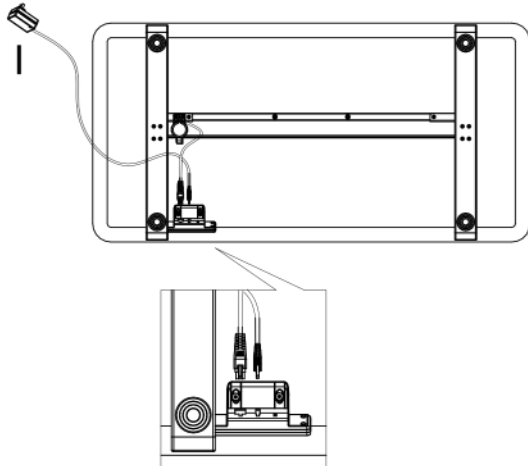
7

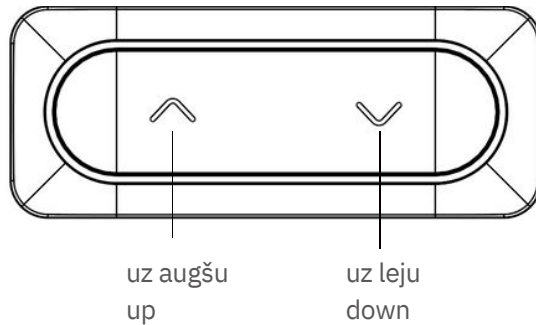


8



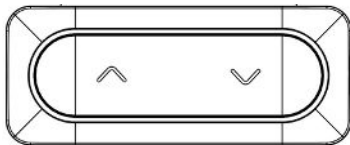
9





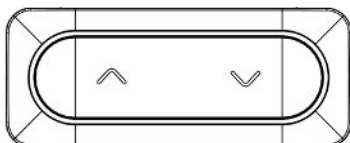
Svarīgi / Note

- Pārlicinieties, ka virs galda un zem galda nav šķēršļu.
- Pārlicinieties ka galds nav piestumts pie sienas.
- 1. Please make sure no obstacles during up and down.
- Don't make the desktop attach to wall.



Darbība uz augšu/uz leju. Move up/down

- Nospiediet un turiet " " vai " " pogu, lai ļautu galdam pārvietoties uz augšu/uz leju, līdz tas sasniedz savu augstāko/zemāko punktu.
- Atlaidiet " " vai " " pogu, lai ļautu galdam apstāties (lēnām).
- Press and hold the " " or " " button to enable the desktop to move up/down until it reaches its highest/lowest point.
- Release the " " or " " button to enable the desktop to stop (slowly).



Reset

- Nospiediet un turiet pogu " " līdz galds sasniegs zemāko punktu un apstāties, tad atlaidiet pogu un nospiediet pogu " " vēlreiz uz 5 sekundēm. Atlaidiet un tad atkal nospiediet un turiet pogu " ", līdz statusa gaisma kļūst zaļa.
- Press and hold the down button to the bottoms, then release the button and press the down button again for 5 seconds, release the button and long press the down button until the status light shows green.

@ linergo@linergo.lv

+371 29 114 991